

Parts Catalog



precisely.



Model 3600

SLICING MACHINES

MODELS:

**3600 Rev. B, S/N 365000 & UP
3850 & 3975 Rev. A**

06-12-06

IMPORTANT!

TO EXPEDITE SHIPMENT OF PARTS, ALWAYS SPECIFY MODEL, REV,
PART NUMBER, AND SERIAL NUMBER OF SLICER.

GLOBE FOOD EQUIPMENT COMPANY

P.O. Box 3209
Dayton, Ohio 45401

Parts Department

Toll Free 1-800-745-6238 · Fax (937) 290-0585

E-Mail: globeinfo@globeslicers.com

Website: www.globeslicers.com

Not for resale

TABLE OF CONTENTS

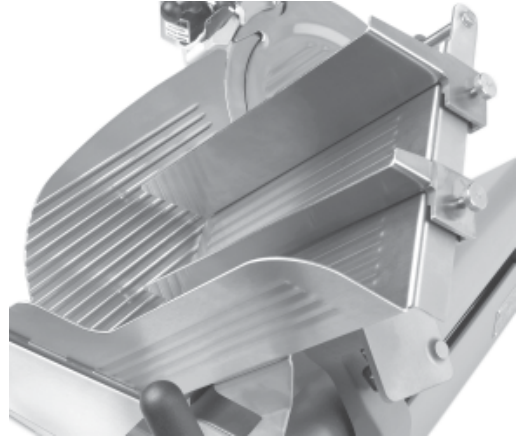
ACCESSORIES	1
SLICER BASE	2
BASE SHROUD AND COMPONENTS	3
TABLE	4
KNIFE RIM GUARD	5
KNIFE COVER	6
GEAR HOUSING AND KNIFE	7
KNIFE SHARPENER	8-9
KNIFE MOTOR BEARING ASSEMBLY	10
TABLE ADJUSTMENT COMPONENTS	11
TABLE SLIDE SYSTEM	12
KNIFE MOTOR COMPONENTS	13
STAINLESS STEEL CHUTE AND SUPPORT	14
END WEIGHTS	15
MANUAL ELECTRICAL SYSTEM (REV B)	16
AUTOMATIC SLIDE SYSTEM	17
AUTOMATIC DRIVE SYSTEM	18
AUTOMATIC BASE APRON AND LIFT LEVER ASSEMBLY	19
AUTOMATIC ELECTRICAL SYSTEM (REV A)	20
VEGETABLE HOPPER ACCESSORY	21
FRONT MOUNTED END WEIGHT CHUTE ASSEMBLY	22
CHUTE FENCE ACCESSORIES	23
SCHEMATIC 3600	24
SCHEMATIC 3850 & 3975	25

ACCESSORIES

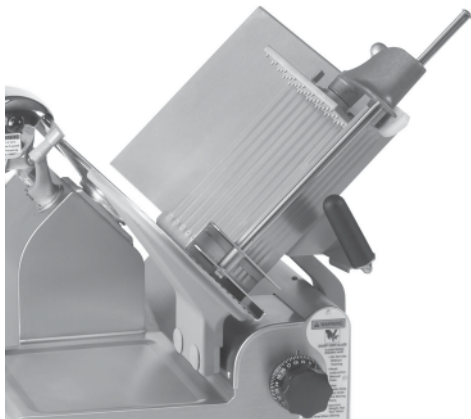
VEGETABLE HOPPER 699-BAS



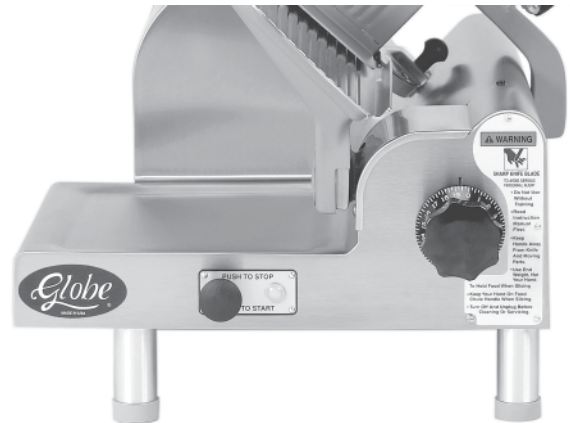
ADJUSTABLE STAINLESS STEEL FENCES
TALL 1326 SHORT 1047



FRONT MOUNTED END WEIGHT 102-AS-11



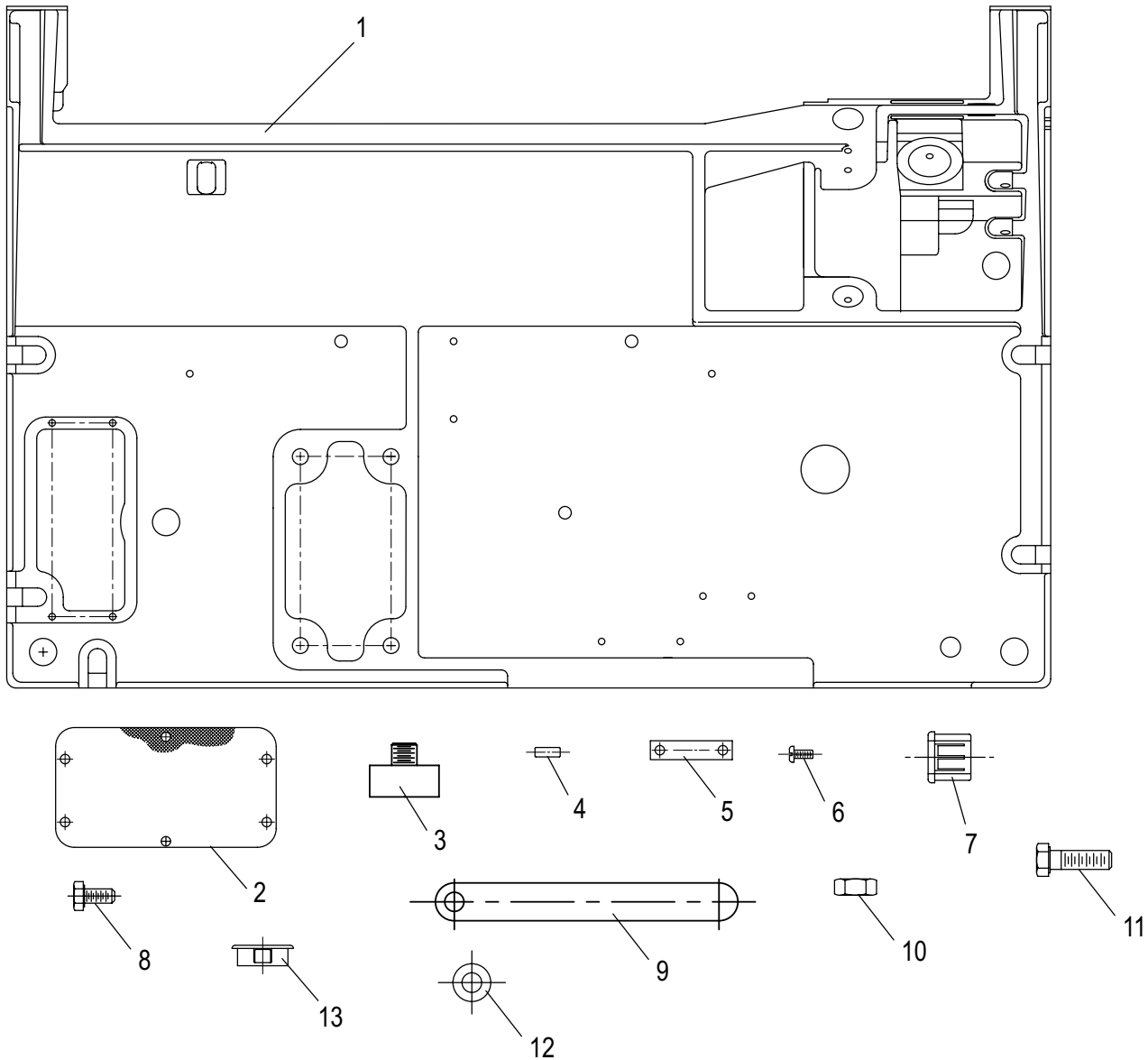
EXTENSION LEGS 873



PORTION SCALE PS10

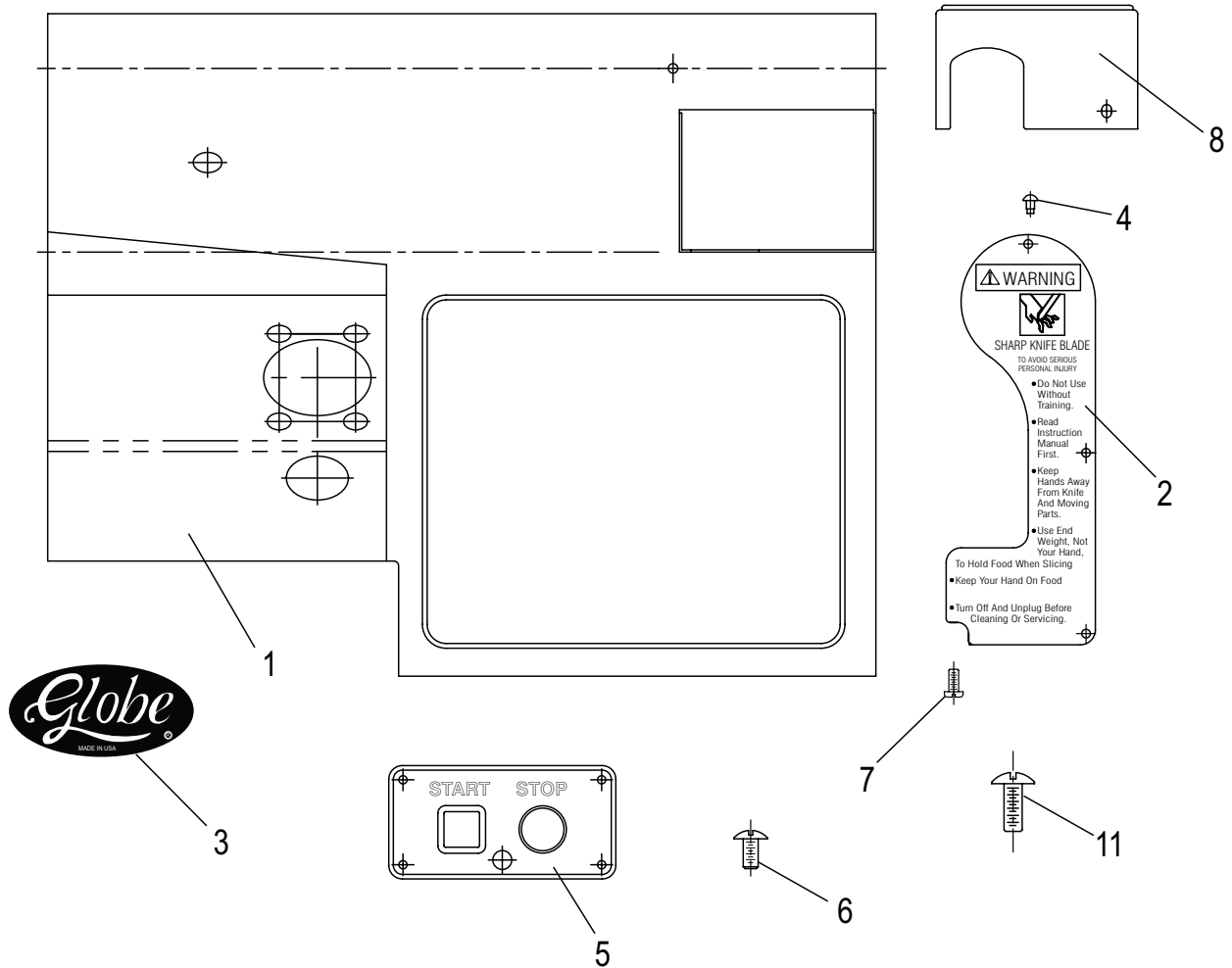


SLICER BASE



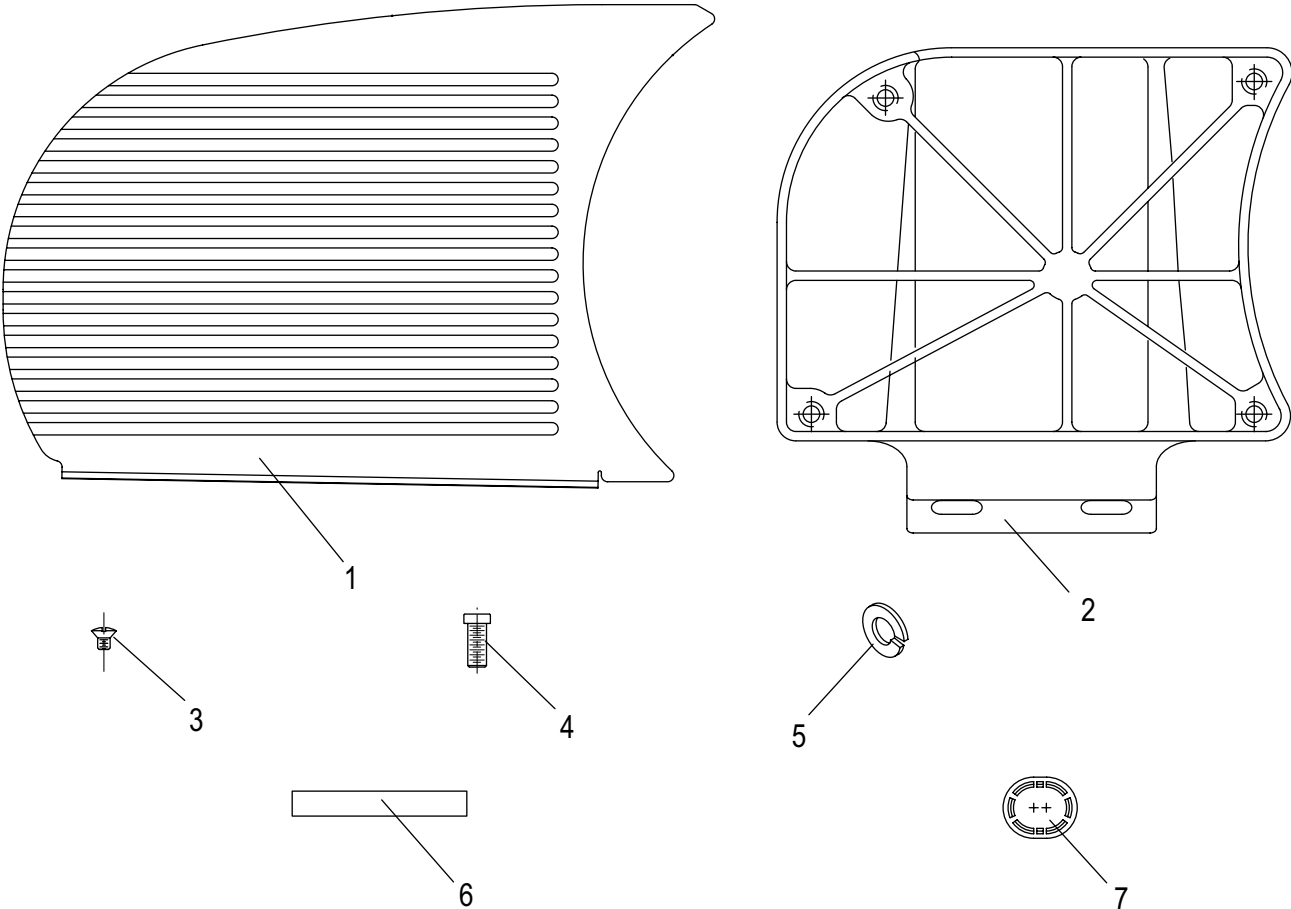
ITEM	PART DESCRIPTION	PART NUMBER	QUANTITY	
			MANUAL	AUTO
1	BASE, MANUAL	210010	1	-
	BASE, AUTOMATIC	1180	-	1
2	MOTOR SCREEN	1148	1	1
3	BASE PAD RUBBER FOOT	817	4	4
4	DOWEL PIN	1091	2	2
5	MOTOR SCREEN BRACE	1255	2	2
6	MOTOR BRACE SCREW	1227	4	4
7	SPLIT BUSHING	550002	3	3
8	SCREW, TABLE SLIDE ROD	975-1	1	1
9	CLEANING BRACE	873-CB	1	-
10	NUT	873-CB-1	1	-
11	HEX BOLT	477	1	-
12	FLAT WASHER	763-4A	2	-
13	HOLE PLUG	1208	1	1

BASE SHROUD AND COMPONENTS



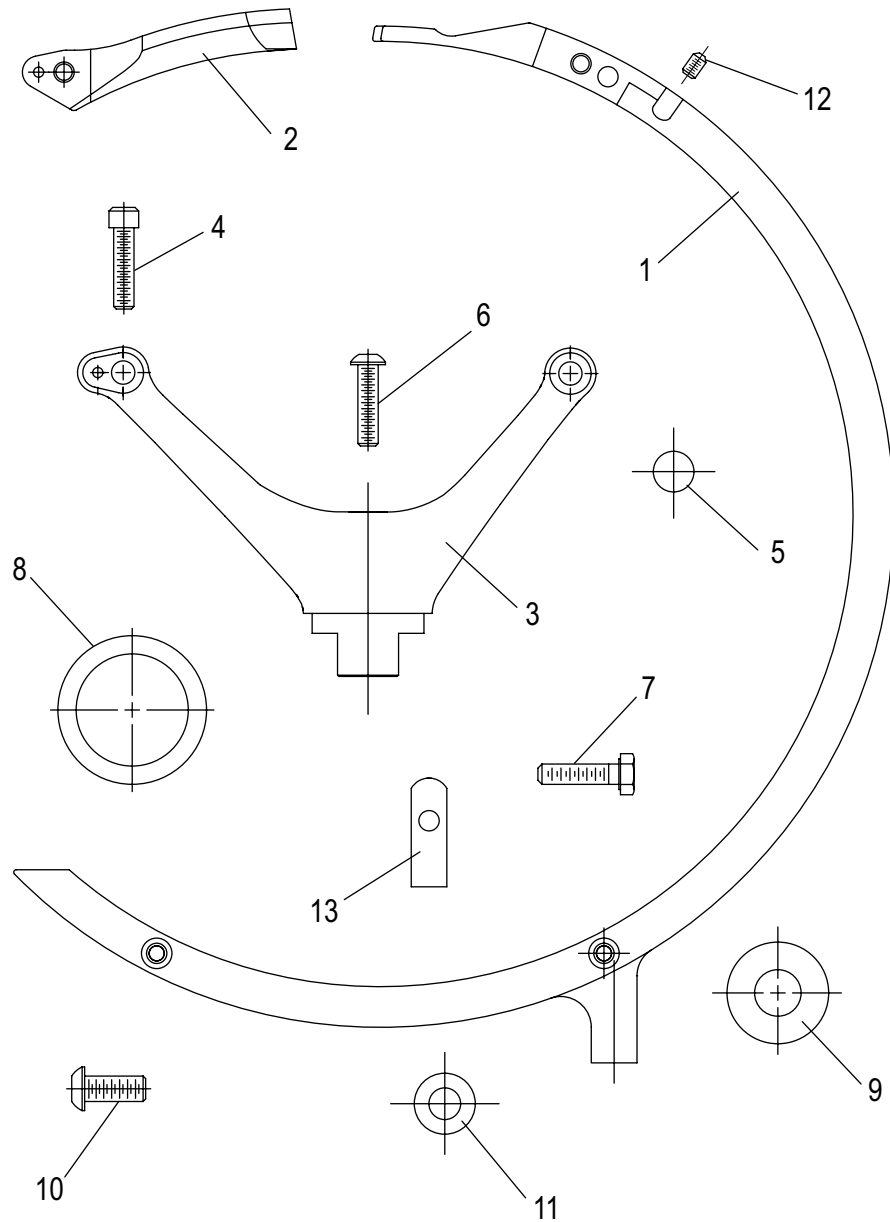
ITEM	PART DESCRIPTION	PART NUMBER	QUANTITY	
			MANUAL	AUTO
1	BASE SHROUD, MANUAL	310060	1	-
	BASE SHROUD, AUTOMATIC	1044	-	1
2	WARNING DECAL - ENGLISH	967-1	1	1
	WARNING DECAL - SPANISH	967-1S	1	1
	WARNING DECAL - FRENCH	967-1F	1	1
3	GLOBE LOGO DECAL	871-2	1	1
4	DRIVE SCREW	851-6P	7	3
5	SWITCH COVER	910031	1	-
6	SCREW	762-6	1	1
7	SCREW	1227	1	1
8	TABLE MECHANISM COVER	1075	1	1
11	SCREW	900-1	1	1

SLICER TABLE



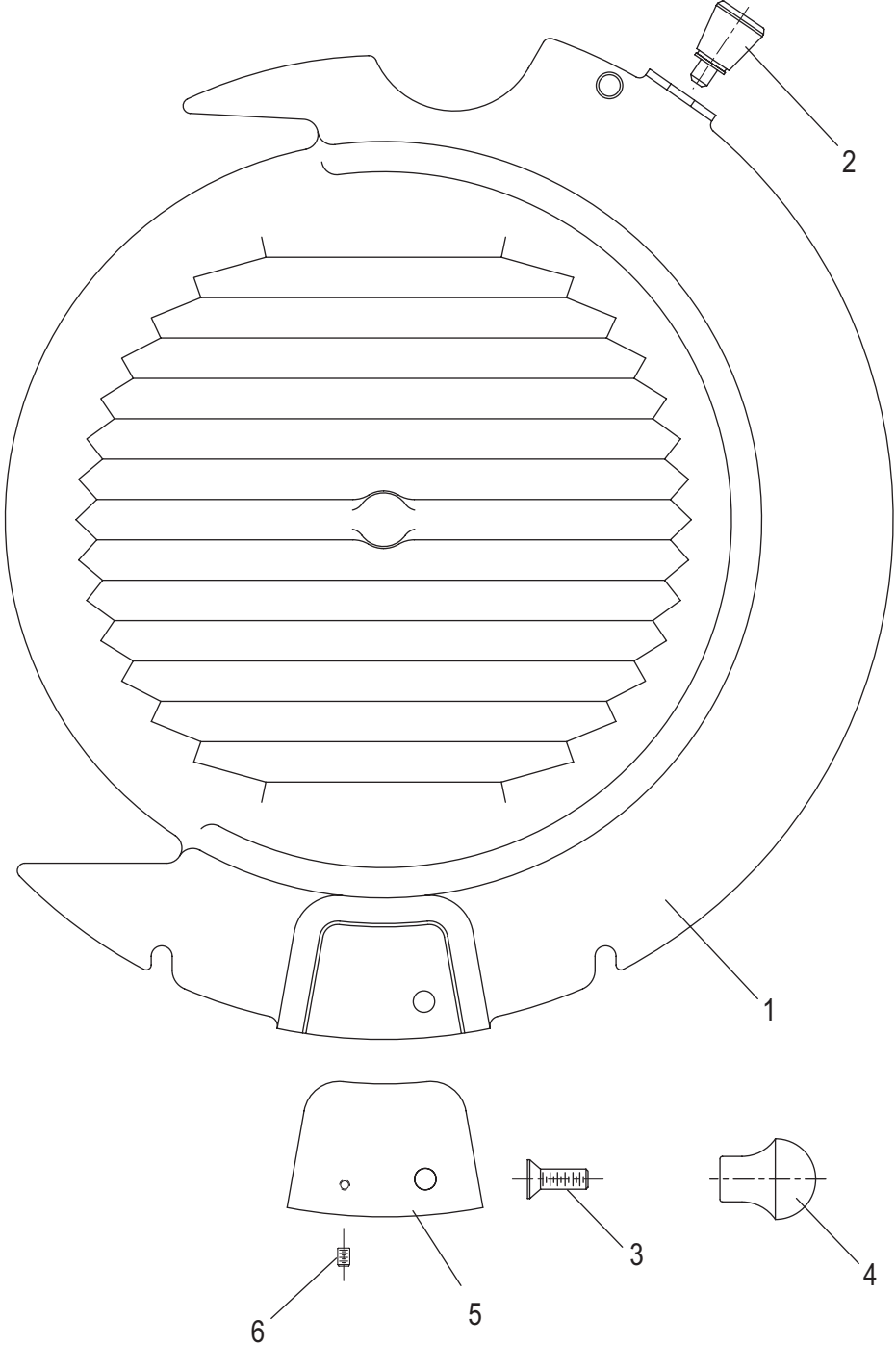
ITEM	PART DESCRIPTION	PART NUMBER	QTY.
	TABLE ASSEMBLY	1277	1
1	TABLE, STAINLESS STEEL	1168	1
2	TABLE SUPPORT	1057	1
3	TABLE FASTENER	976-1	4
4	SCREW	1058	2
5	LOCK WASHER	870020	2
6	SHIM	337-A	AS REQUIRED
7	HOLE PLUG, OVAL	520000	2

KNIFE RIM GUARD



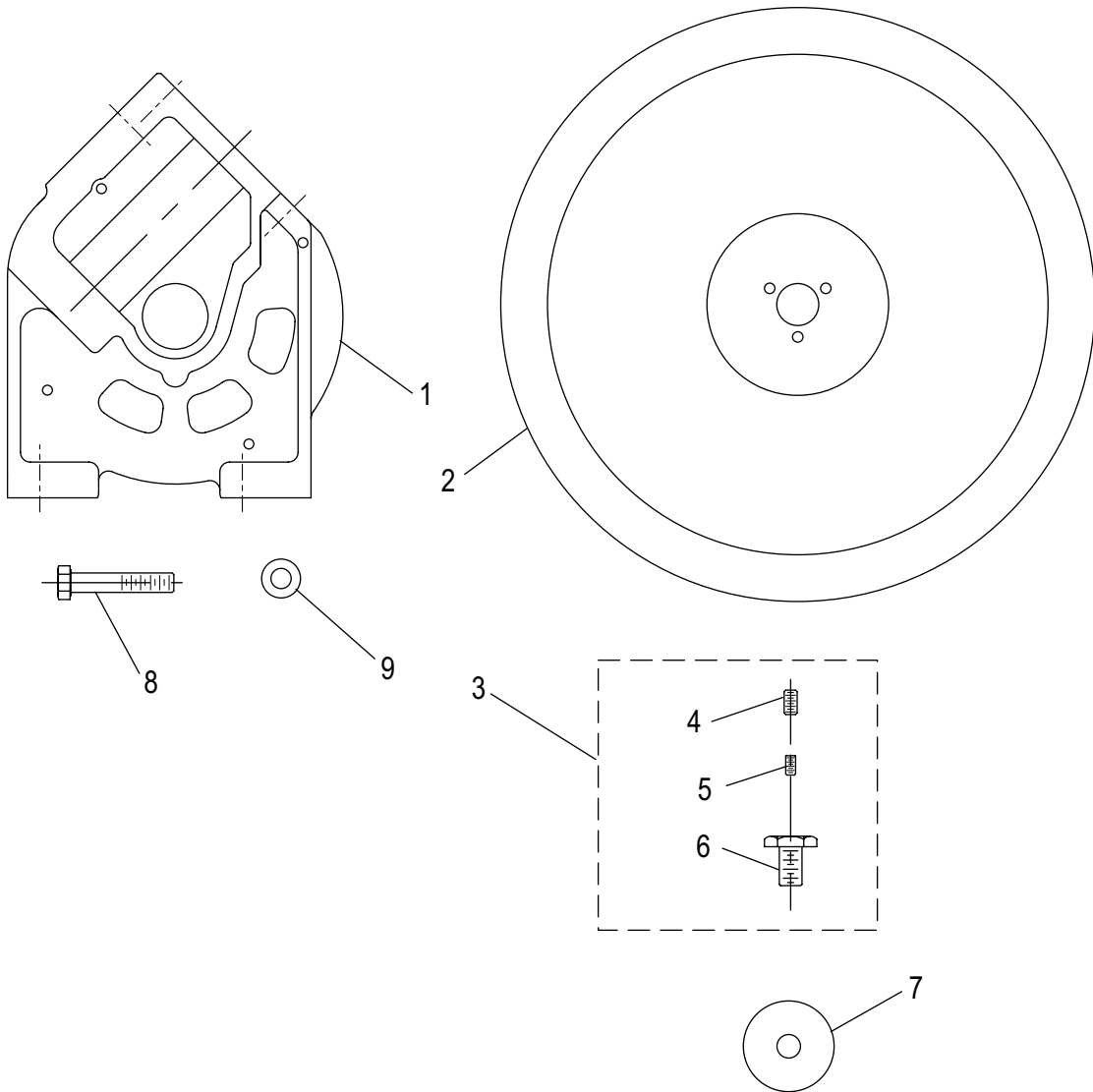
ITEM	PART DESCRIPTION	PART NUMBER	QTY
1	KNIFE RIM GUARD ASSEMBLY	1132	1
2	UPPER KNIFE RIM GUARD	1283	1
3	KNIFE RIM GUARD BRACKET	230000	1
4	SCREW	1238	2
5	HOLE PLUG	1211	2
6	SCREW	1217	1
7	BOLT	810050	1
8	TRIM RING	1031	1
9	TRIM RING	1032	1
10	SCREW	1239	1
11	WASHER	763-4A	1
12	SET SCREW	1245	1
13	COVER	320010	1

KNIFE COVER



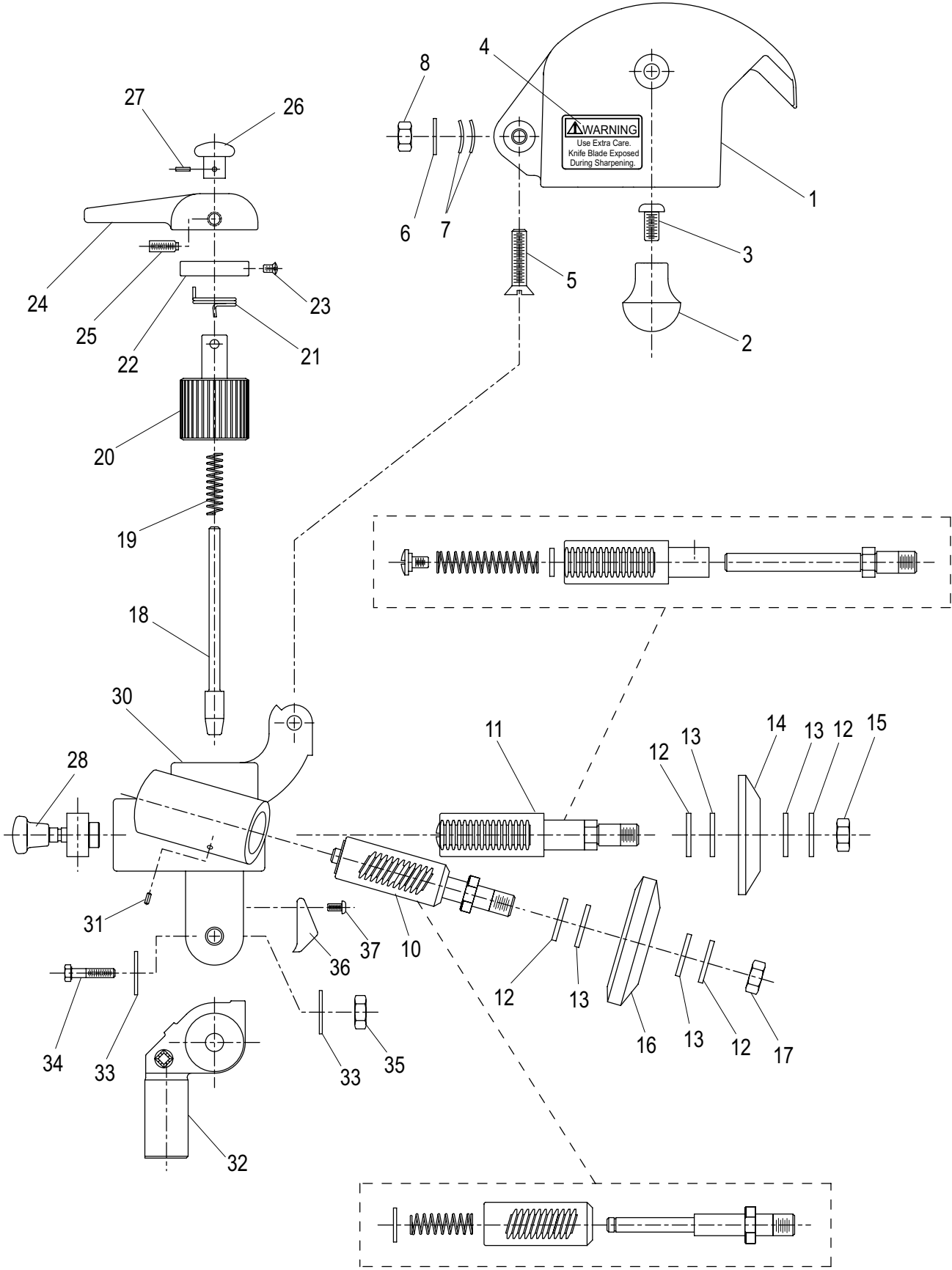
ITEM	PART DESCRIPTION	PART NUMBER	QTY
	KNIFE COVER ASSEMBLY	1139	1
1	KNIFE COVER	320031	1
2	COVER KNOB	1056	1
3	SCREW	1089	1
4	KNOB	1138	1
5	MAGNET BOX ASSEMBLY	1282	1
6	NYLON SCREW	1197	1

GEAR HOUSING AND KNIFE



ITEM	PART DESCRIPTION	PART NUMBER	QTY
1	GEAR HOUSING	1007	1
2	CARBON KNIFE	1021	1
	STAINLESS STEEL KNIFE	1022	1
3	KNIFE BOLT ASSEMBLY	1195	1
4	PLUG	1193	1
5	SET SCREW	1194	1
6	BOLT	1093	1
7	FLAT WASHER	1092	1
8	HEX BOLT	369-1	1
9	FLAT WASHER	763-4A	1
10	SILICON LUBRICANT (NOT SHOWN)	521-D	1

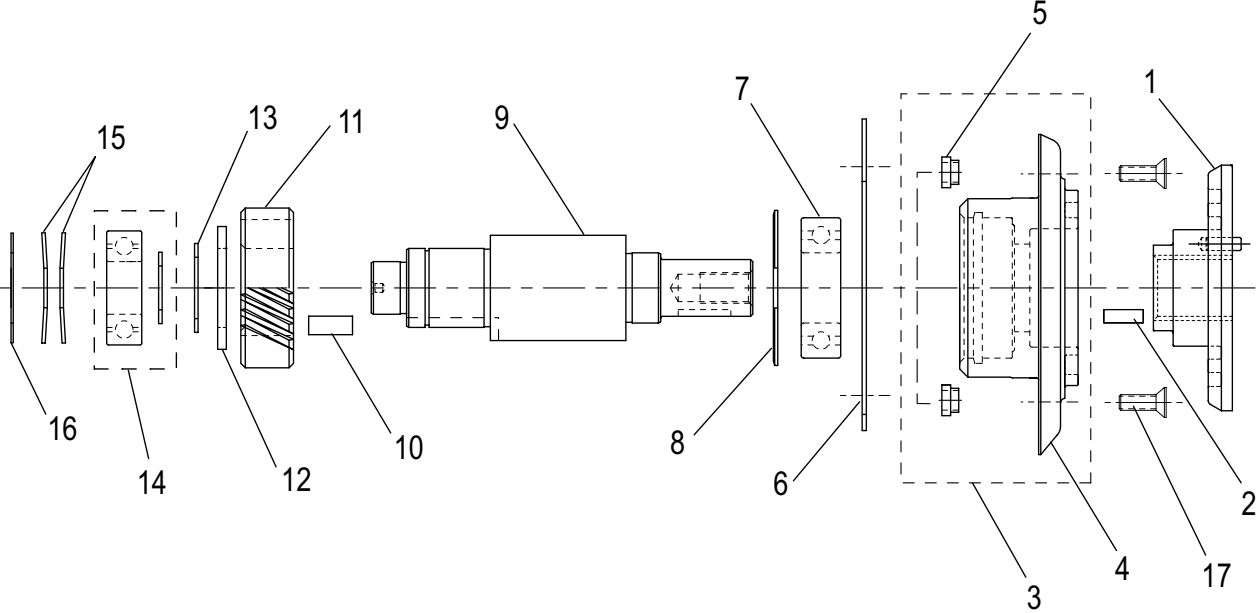
KNIFE SHARPENER ASSEMBLY



SHARPENER ASSEMBLY PARTS LIST

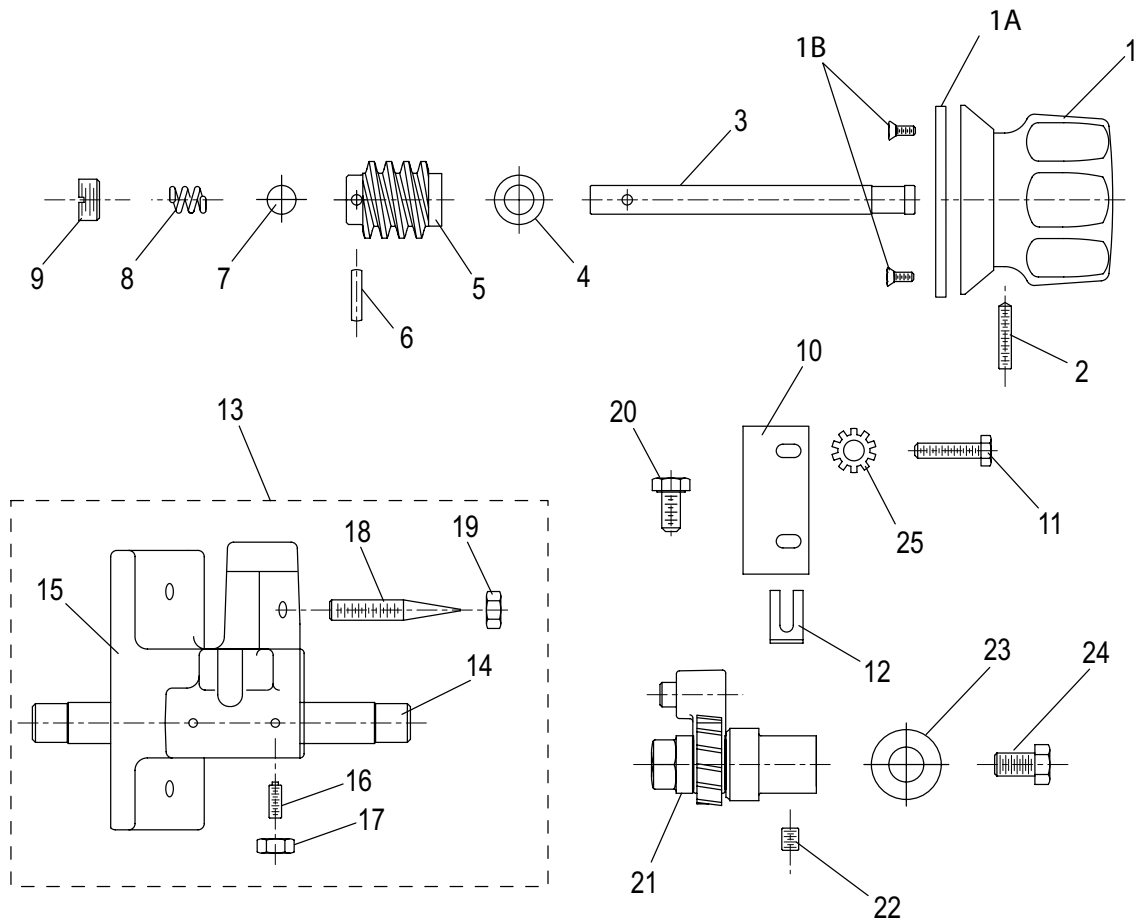
ITEM	PART DESCRIPTION	PART NUMBER	QTY
	SHARPENER ASSEMBLY WITH COVER	070040	1
1	SHARPENER COVER	1041	1
2	SHARPENER COVER KNOB	1138	1
3	SHARPENER COVER COVER KNOB SCREW	1258	1
4	COVER WARNING DECAL - ENGLISH	967-2	1
	COVER WARNING DECAL - SPANISH	967-2S	1
5	COVER HINGE SCREW	825-1	1
6	COVER HINGE SCREW WASHER	825-2	1
7	COVER TENSION WASHER	761-6	2
8	COVER HINGE NUT	825-3	1
9	SHARPENER ASSEMBLY WITHOUT COVER	070041	1
10	GRINDING SHAFT ASSEMBLY	463-AS	1
11	TRUING SHAFT ASSEMBLY	467-AS	1
12	WASHER	229	4
13	WASHER, FIBER	229-1	4
14	TRUING STONE (4975A USE 240030)	213	1
15	NUT	228	1
16	GRINDING STONE (4975A USE 240031)	214-A	1
17	NUT, GROUND	810140	1
18	LOCK ROD ASSEMBLY	456-AS	1
19	LOCK SPRING	458	1
20	GEAR	455	1
21	GEAR RETURN SPRING	460	1
22	GEAR SPACER RING	459	1
23	SET SCREW	470-1	1
24	HANDLE	495	1
25	SET SCREW	495-1	1
26	LOCK KNOB	461	1
27	LOCK KNOB PIN	287-2	1
28	TRUING STONE STOP ASSEMBLY	471-AS	1
29	SHARPENER SUBASSEMBLY	070042	1
30	HOUSING	450-H	1
31	SLEEVE PIN	300	1
32	BRACKET	240020	1
33	WASHER	286-1	2
34	HINGE BOLT	475	1
35	NUT	286	1
36	HOLE COVER	520060	1
37	SCREW	810280	1

KNIFE MOTOR BEARING ASSEMBLY



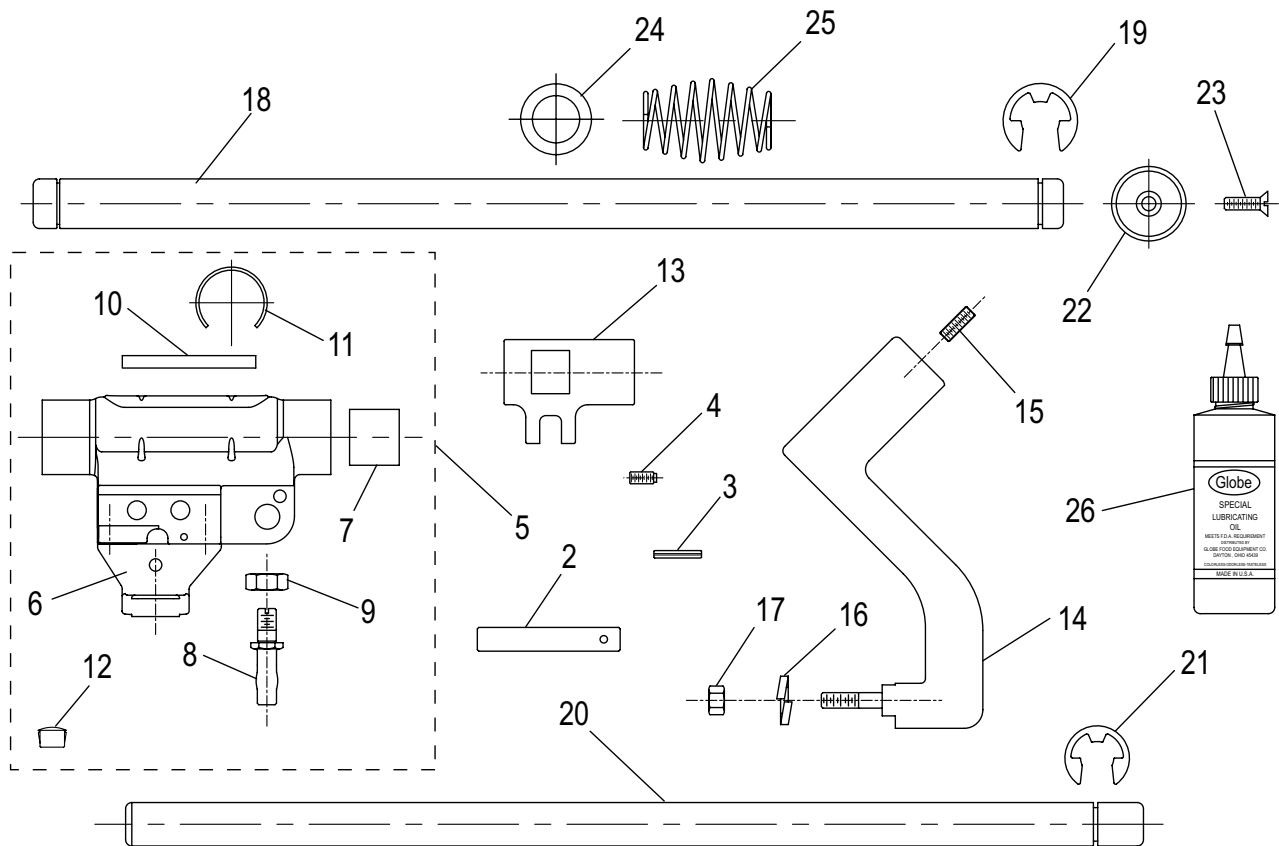
ITEM	PART DESCRIPTION	PART NUMBER	QTY
	BEARING ASSEMBLY	1094	1
1	KNIFE LOCATING HUB ASSEMBLY	1090	1
2	KEY	1106	1
3	UPPER BEARING RETAINER ASSEMBLY	1037-AS	1
4	UPPER BEARING RETAINER	1037	1
5	STANDOFF	1237	4
6	RETAINER, SHROUD GASKET	1241	1
7	BEARING	972-5P	1
8	RETAINING RING	1088	1
9	KNIFE SHAFT	1085	1
10	KEY	1086	1
11	GEAR	1084	1
12	SPACER	1083	1
13	RETAINING RING	1087	1
14	BEARING AND SPACER	972-8P	1
15	BOWED WASHER	1215	2
16	THRUST WASHER	1221	1
17	SCREW, FLAT HEAD	1089	4

TABLE ADJUSTMENT COMPONENTS



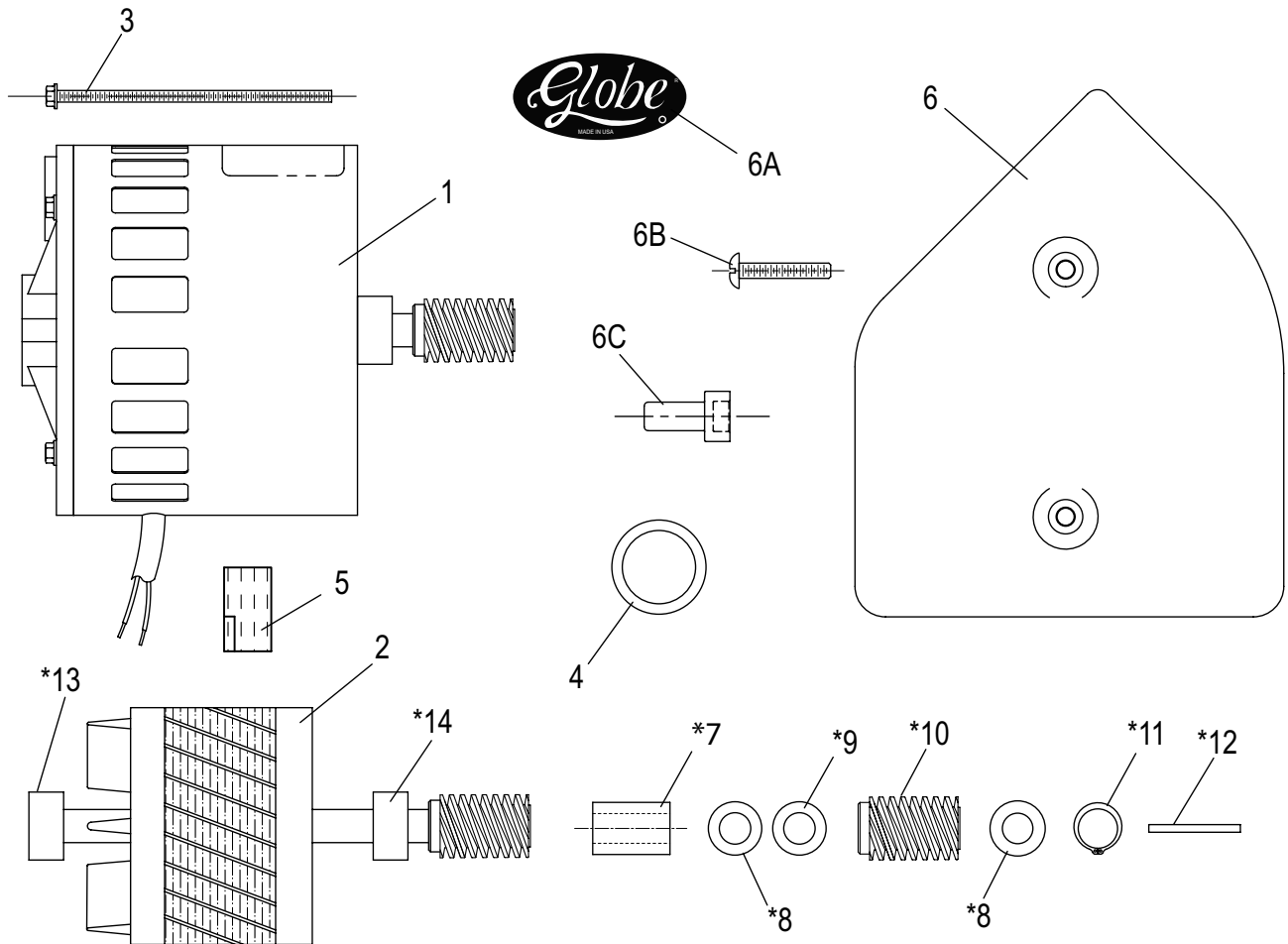
ITEM	DESCRIPTION	PART NUMBER	QTY
1	TABLE ADJUSTMENT KNOB	407-1B	1
1A	TABLE ADJUSTMENT KNOB INSERT	407-34	1
1B	SCREW, FLAT HEAD	407-33	3
2	SET SCREW	356-1	2
3	KNOB SHAFT	864	1
4	WASHER, WORM GEAR	359	1
5	WORM GEAR	1147	1
6	PIN, WORM GEAR	360	1
7	BALL	362	1
8	SPRING, TENSION	1200	1
9	THRUST SCREW	361-1	1
10	SLIDE GUIDE	1259	1
11	SCREW	1307	2
12	SLIDE GUIDE SHIM (VARIOUS THICKNESS)	349-A.001 - 349-A.052	AS REQD
13	TABLE SLIDE ASSEMBLY	200040	1
14	TABLE SLIDE SHAFT	1027	1
15	TABLE SLIDE	1033	1
16	SET SCREW	168-1	2
17	NUT	760-5	2
18	STOP SCREW	1310	1
19	STOP SCREW NUT	478-1	1
20	SCREW	975-1	1
21	TABLE ADJUSTING GEAR ASSEMBLY	453-AS	1
22	SET SCREW	700-3	2
23	FLAT WASHER	881-4	1
24	HEX SCREW	335	1
25	LOCK WASHER	870000	2

TABLE SLIDE SYSTEM COMPONENTS



ITEM	PART DESCRIPTION	PART NUMBER	QUANTITY REQD	
			MANUAL	AUTO
1	UPPER SLIDE ASSY - AUTOMATIC	1278-A	-	1
2	CHAIN SLIDE SHAFT	1079	-	1
3	ROLL PIN	1235	-	1
4	SET SCREW	1270	-	2
5	UPPER SLIDE ASSEMBLY - MANUAL	1278	1	1
6	UPPER SLIDE ASSY	200012	1	1
7	SLIDE BUSHING	436-7	2	2
8	STUD, SLIDE ROD BUSHING	241-B	1	1
9	NUT	228	1	1
10	FELTS, OIL	436-3	1	1
11	SPRING CLIP	436-4	2	2
12	PLUG	850-3	1	1
13	LOWER SLIDE BUSHING	1024	1	1
14	CHUTE RECEIVER ASSY	1280	1	1
15	SCREW	167-1	1	1
16	LOCKWASHER	245-A	2	2
17	NUT	478-2	2	2
18	UPPER SLIDE ROD	420050	1	1
19	UPPER RETAINING CLIP	857-1	1	1
20	LOWER SLIDE ROD	420060	1	1
21	LOWER RETAINING CLIP	858-1	1	1
22	SLIDE BAR WASHER	859	2	2
23	SCREW	859-1	2	2
24	SLIDE BUMPER	436-1	1	-
25	SPRING, UPPER SLIDE ROD	919-4	1	2
26	LUBRICATING OIL	519	1	1

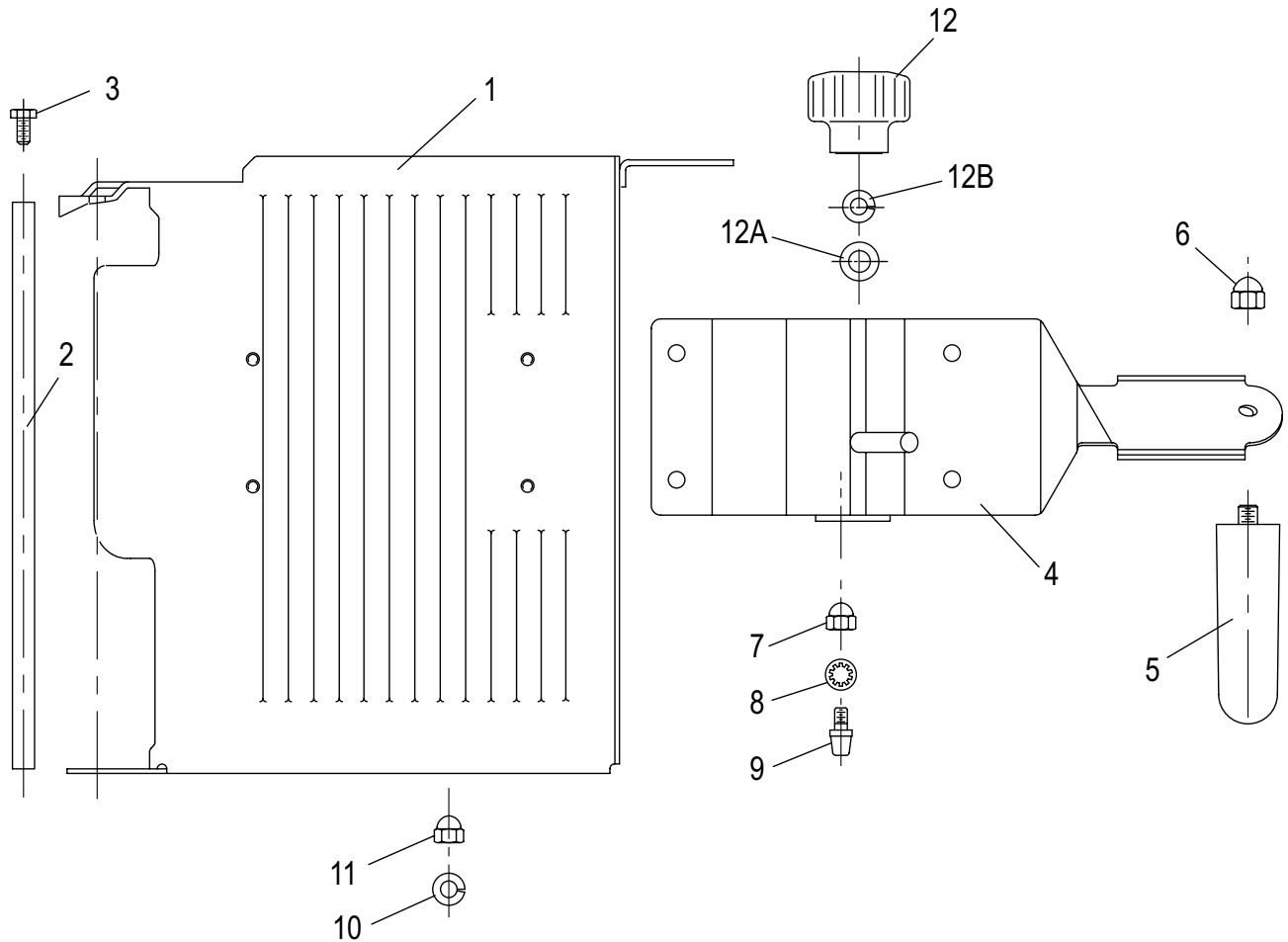
KNIFE MOTOR COMPONENTS



ITEM	DESCRIPTION	PART NUMBER	QTY
1	MOTOR ASSEMBLY 115VAC/60HZ/1PH	1049	1
	MOTOR ASSEMBLY 115VAC/60HZ/1PH W/RESET	1322	1
	MOTOR ASSEMBLY 230VAC/50HZ/1PH W/RESET	1323	1
2	MOTOR ROTOR & END BELL 115VAC/60HZ/1PH	420003	1
	MOTOR ROTOR & END BELL 115VAC/60HZ/1PH W/RESET	420004	1
3	MOTOR SCREW	1205	4
4	BOWED WASHER	1317	1
5	WIRE CONNECTOR	982-1MH	1
6	MOTOR COVER	1142	1
	MOTOR COVER W/RESET HOLE	1311	1
6A	LABEL, GLOBE LOGO	871-2	1
6B	SCREW	1253	2
6C	MOTOR RESET BUTTON	1214	1
*7	SPACER	1363	1
*8	FLAT WASHER	870070	2
*9	BOWED WASHER	810	1
*10	WORM GEAR	1059	1
*11	SNAP RING	880051	1
*12	KEY, SQUARE	1372	1
*13	BEARING	820037	1
*14	BEARING, DRIVE END	820038	1
15	THRUST WASHER (NOT SHOWN)	1221	1

* PARTS INCLUDED WITH ITEMS 1 & 2.

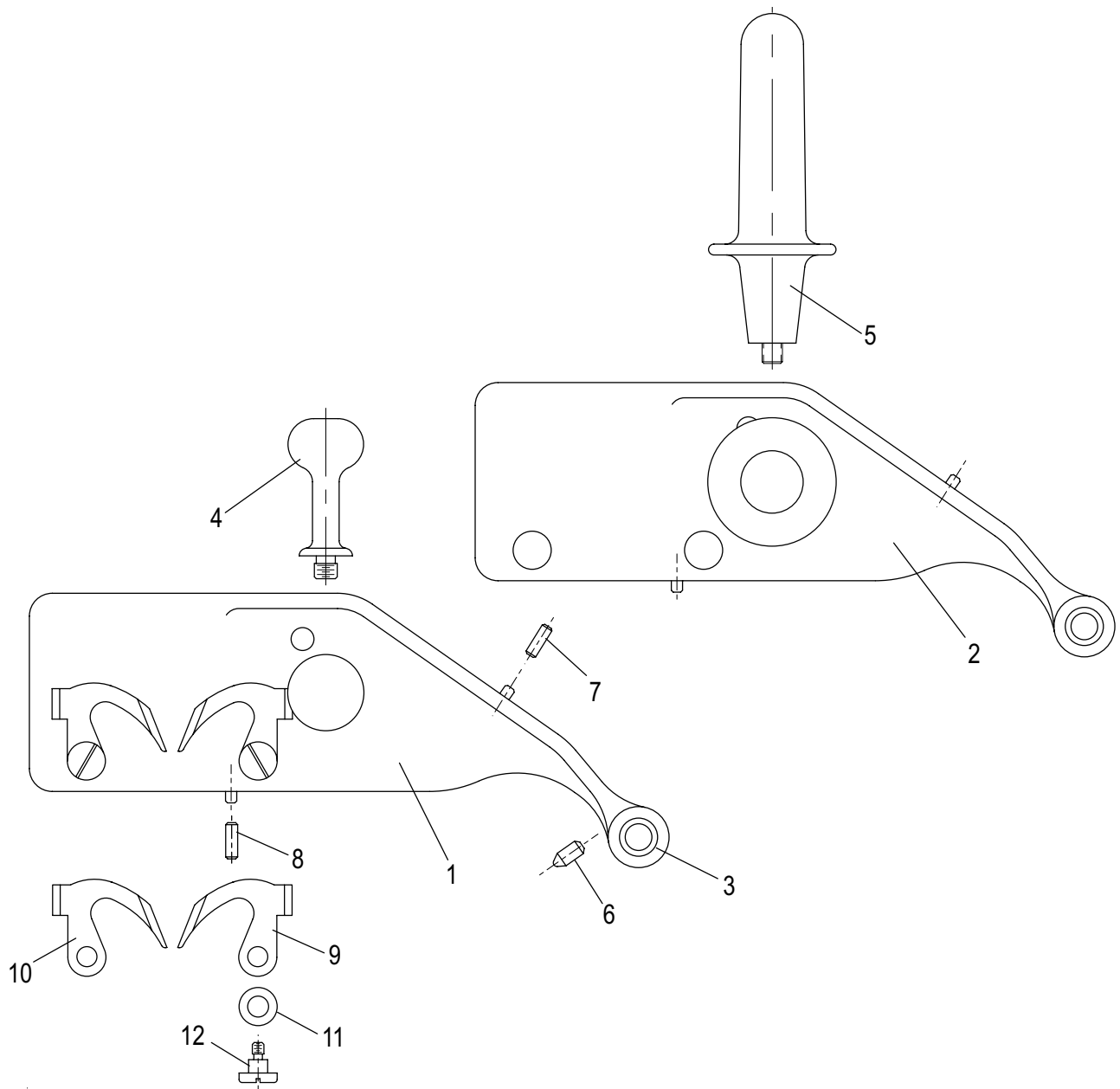
STAINLESS STEEL CHUTE AND SUPPORT



ITEM	PART DESCRIPTION	PART NUMBER	QUANTITY REQD	
			AUTO	MANUAL
*	12" SS CHUTE ASSEMBLY W/O PRONGS	102-AS-8	-	1
	12" SS CHUTE ASSEMBLY W PRONGS	102-AS-9	1	-
1	12" CHUTE	962-S	1	1
2	END WEIGHT ROD - 11-3/16" LONG	962-18S	1	1
3	SCREW	962-17	2	2
4	CHUTE SUPPORT	962-1	1	1
5	CHUTE HANDLE	482-B	1	1
6	ACORN NUT	699-32	2	2
7	ACORN NUT	962-7	1	1
8	LOCK WASHER, INTERNAL TOOTH	962-19	1	1
9	LOCK BACK STUD	962-5	1	1
10	LOCK WASHER	962-16	6	6
11	ACORN NUT	962-6	4	4
12	CHUTE SUPPORT KNOB	798-B	1	1
12A	FLAT WASHER	870060	1	1
12B	LOCK WASHER	962-13	1	1

* CHUTE ASSEMBLY INCLUDES END WEIGHT.

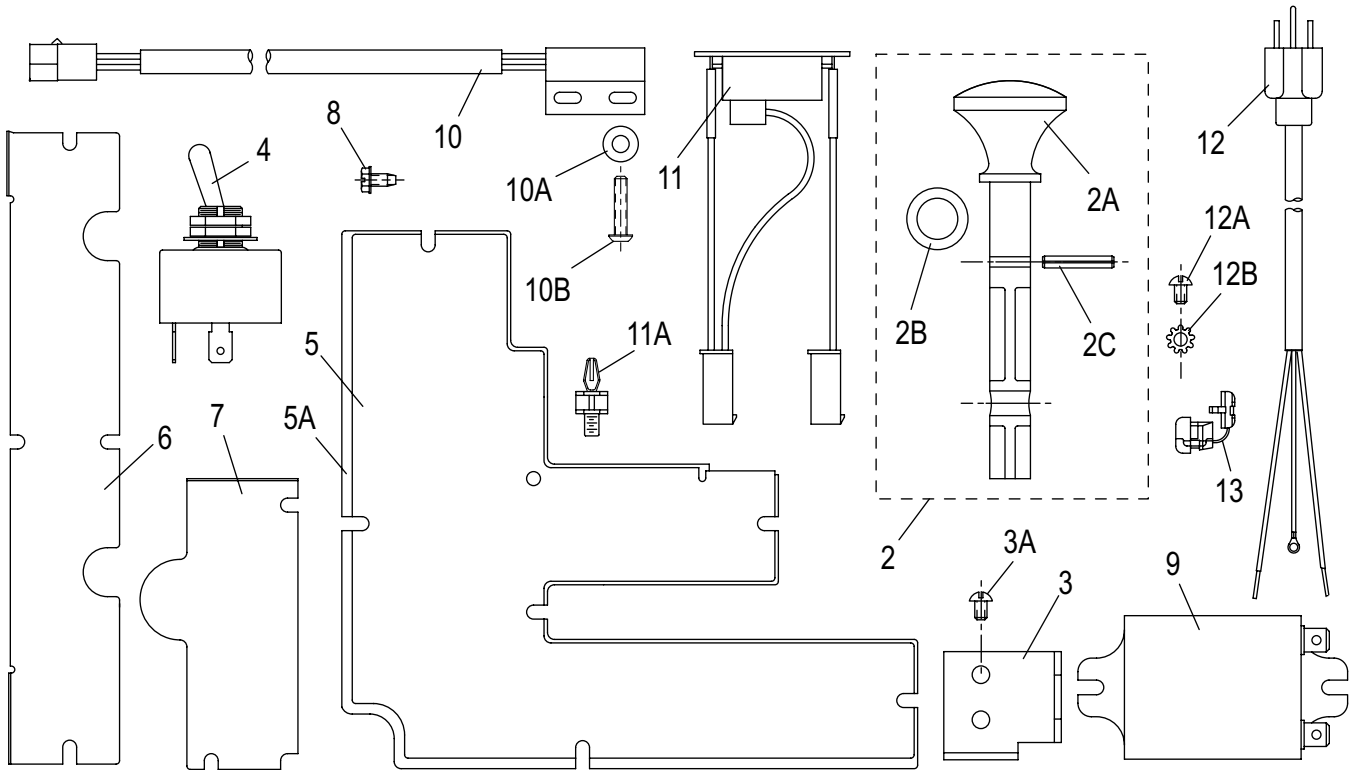
END WEIGHTS



ITEM	PART DESCRIPTION	PART NUMBER	QUANTITY REQD	
			AUTO	MANUAL
	END WEIGHT ASSEMBLY, SS - W/O PRONGS	741-SS-AS	-	1
	END WEIGHT ASSEMBLY, SS - W PRONGS	741-SS-APC	1	-
1	*AUTOMATIC END WEIGHT, SS	1233	1	-
2	*MANUAL END WEIGHT, SS	1234	-	1
3	END WEIGHT BUSHING	741-6	2	2
4	END WEIGHT HANDLE, SS	741-SS3	1	-
5	END WEIGHT HANDLE, PLASTIC	510012	-	1
6	END WEIGHT REST BUMPER	741-4A	1	1
7	END WEIGHT SPACER BUMPER	741-5A	1	1
8	END WEIGHT CHUTE BUMPER	741-5B	1	1
9	END WEIGHT PRONG, RIGHT	741-PC2	1	-
10	END WEIGHT PRONG, LEFT	741-PC3	1	-
11	SPRING WASHER, PRONG	741-PC5	8	-
12	SHOULDER SCREW, PRONG	741-SS4	2	-

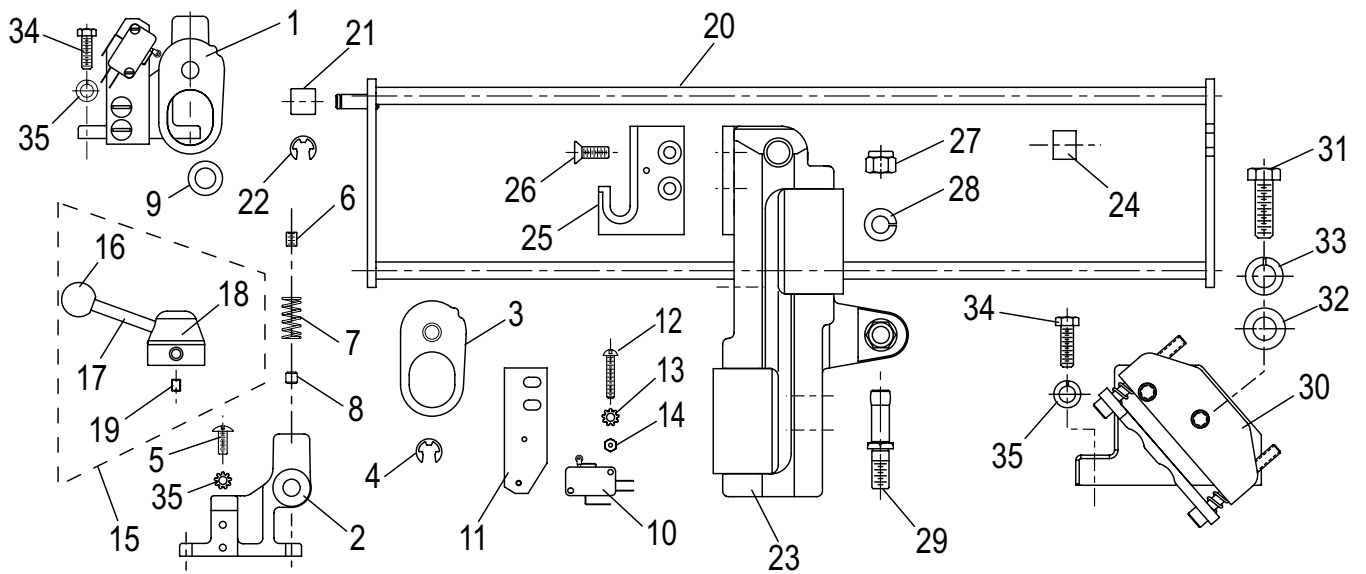
* END WEIGHT INCLUDES ITEM 3 (BUSHINGS)

MANUAL SLICER ELECTRICAL SYSTEM (REV B)



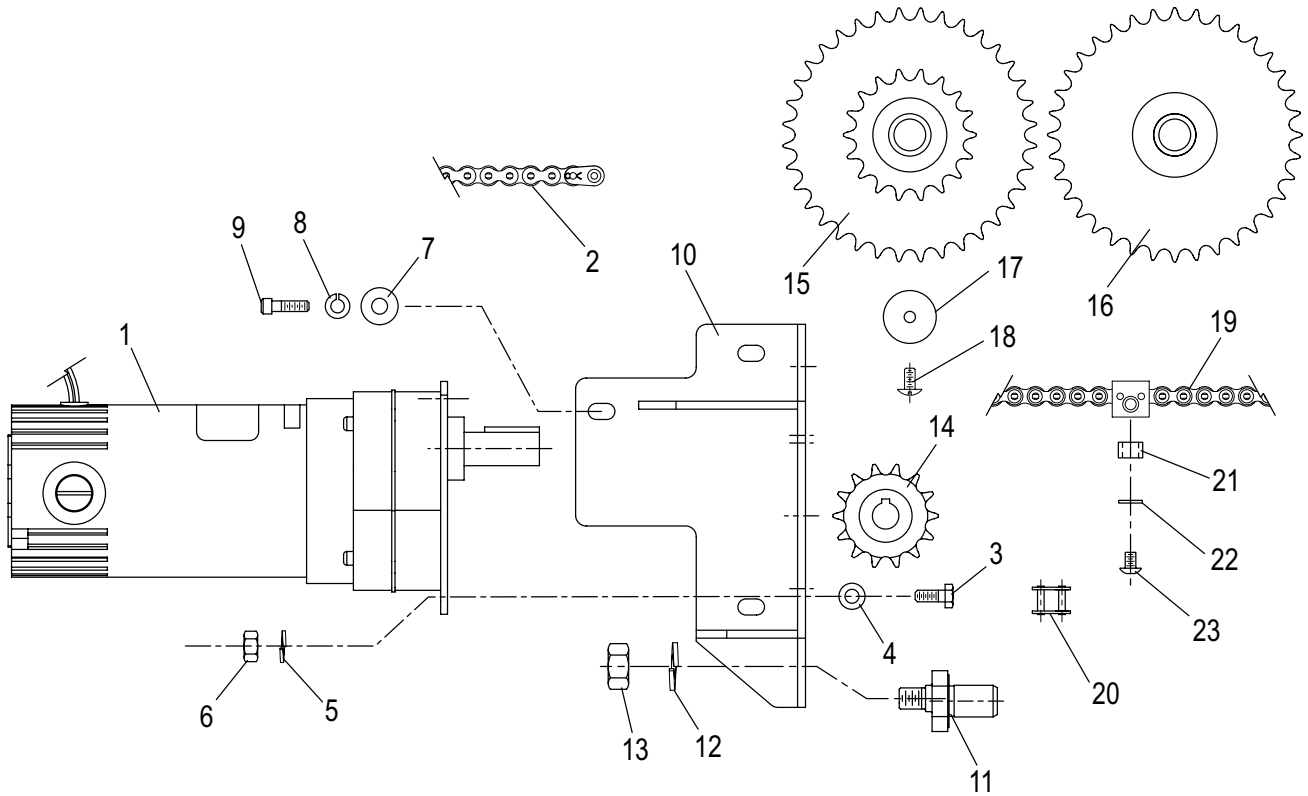
ITEM	PART DESCRIPTION	PART NUMBER	QTY
1	WIRING HARNESS, 110VAC (NOT SHOWN)	100053	1
2	ACTUATOR SHAFT SERVICE KIT (START WITH S/N 365500)	420023	1
2A	ACTUATOR SHAFT	420020	1
2B	O-RING	840000	1
2C	ROLL PIN	880020	1
3	ACTUATOR SHAFT BRACKET	310050	1
3A	SCREW	854-6	2
4	MOTOR TOGGLE SWITCH	140020	1
5	COVER, WIREWAY	320020	1
5A	GASKET, WIREWAY COVER	1192	1
6	COVER, WIREWAY # 2	1136	1
7	COVER, WIREWAY # 3	1137	1
8	SCREW, WIREWAY COVER	889	14
9	RELAY	140011	1
10	KNIFE COVER SWITCH	140030	1
10A	WASHER	870010	2
10B	SCREW	995-31	2
11	MOTOR START SWITCH ASSY	100055	1
11A	STAND-OFF, MOTOR START SWITCH	1250	2
12	POWER CORD	132-3	1
12A	SCREW	854-6	1
12B	LOCK WASHER	854-7	1
13	STRAIN RELIEF, POWER CORD	877	1
16	INDICATOR LIGHT (NOT SHOWN)	100051	1
17	CONNECTION WIRE (NOT SHOWN)	100052	1

AUTOMATIC SLIDE SYSTEM



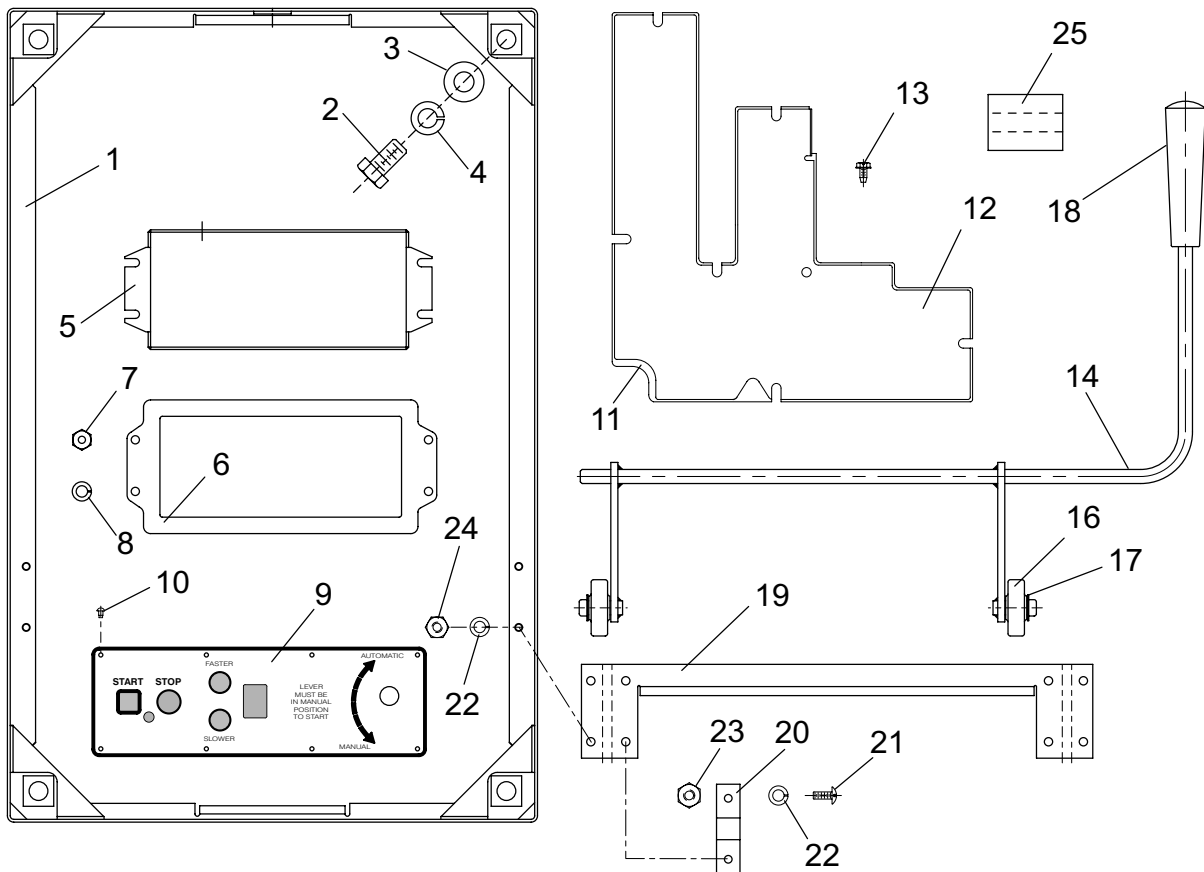
ITEM	PART DESCRIPTION	PART NUMBER	QTY
1	AUTO/MANUAL LEVER ASSEMBLY	1360	1
2	BRACKET, AUTO ENGAGE	1055	1
3	CAM ASSEMBLY	1145	1
4	C-CLIP	940-10	1
5	SCREW	900-1	2
6	SET SCREW	1291	1
7	SPRING	1300	1
8	PLUG	1299	1
9	FIBER WASHER	359	2
10	MICROSWITCH	1263	1
11	BRACKET, MICROSWITCH	1053	1
12	SCREW	854-2	2
13	LOCK WASHER	854-7	2
14	NUT	854-3	2
15	AUTO-ENGAGE LEVER ASSEMBLY	1029	1
16	KNOB	1202	1
17	SHAFT	1028	1
18	LEVER HUB	1026	1
19	SET SCREW	810002	1
20	ROCKER ASSEMBLY	1104	1
21	CAM ROLLER	1102	1
22	C-CLIP	940-10	1
23	CHAIN SLIDE ASSEMBLY	1308	1
24	BEARING	1166	2
25	ACTUATOR	1119	1
26	SCREW	1089	2
27	LOCK NUT	1297	1
28	LOCK WASHER	962-13	1
29	ECCENTRIC STUD	1080	1
30	ENGAGEMENT SPRING ASSEMBLY	1361	1
31	SCREW	1295	2
32	FLAT WASHER	1288	2
33	LOCK WASHER	245-A	2
34	SCREW	1238	4
35	LOCK WASHER	1226	4

AUTOMATIC SLICER TABLE DRIVE SYSTEM



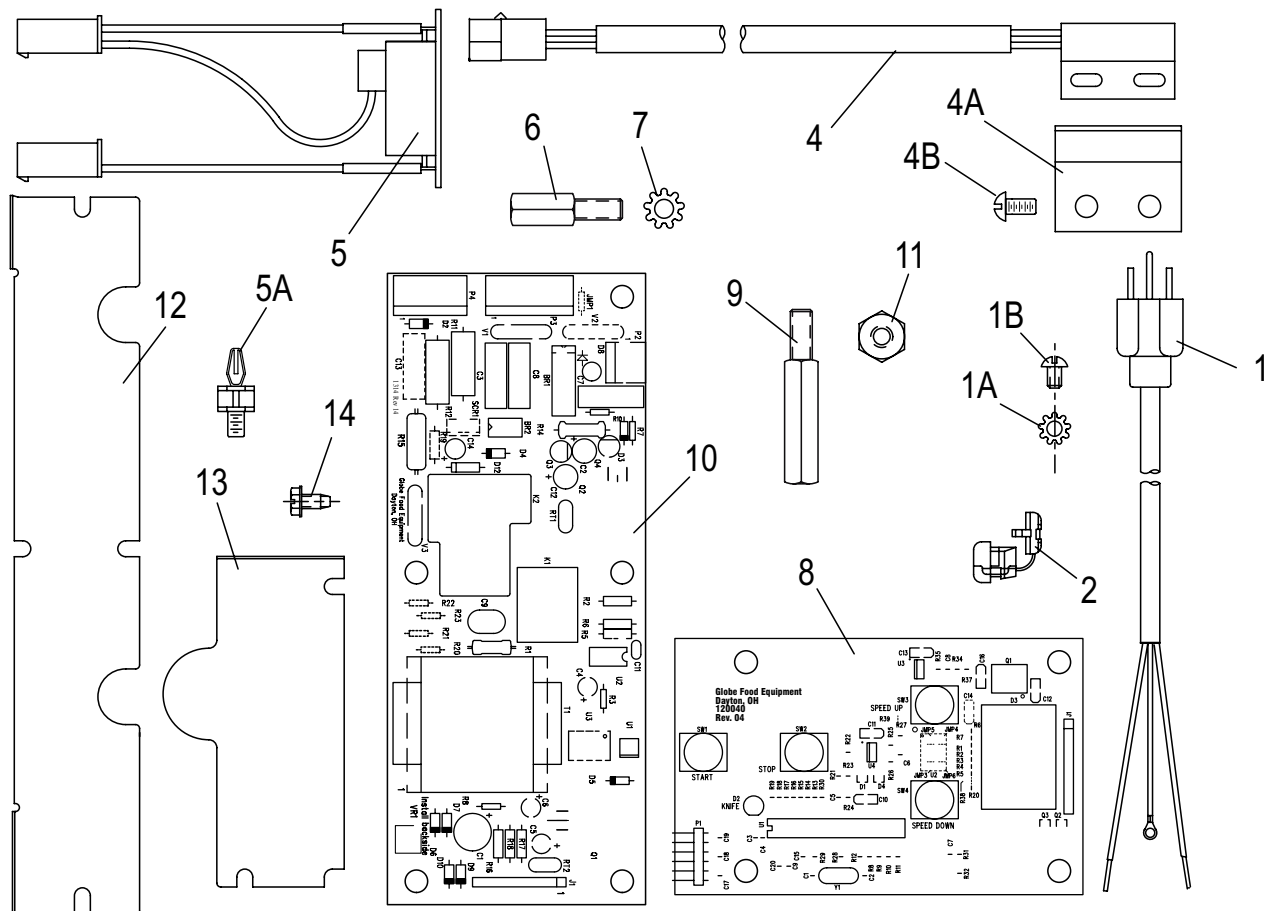
ITEM	PART DESCRIPTION	PART NUMBER	QTY
1	DC GEAR MOTOR	982-1BS	1
2	DRIVE CHAIN	1019	1
3	SCREW	627-C	4
4	FLAT WASHER	825-2	4
5	LOCK WASHER	962-16	4
6	NUT	825-3	4
7	FLAT WASHER	1288	3
8	LOCK WASHER	245-A	3
9	CAP SCREW	1298	3
10	MOTOR MOUNT BRACKET	1082	1
11	SPROCKET STUD	1118	2
12	LOCK WASHER	815	2
13	NUT	646	2
14	MOTOR SPROCKET	1030	1
15	18 & 36 TOOTH SPROCKET	1285	1
16	36 TOOTH SPROCKET	1286	1
17	SPROCKET WASHER	608	2
18	SCREW	762-6	2
19	AUTO DRIVE CHAIN ASSEMBLY	1020	1
20	MASTER LINK	1336	1
21	CAM FOLLOWER	1097	1
22	CAM SCREW	1107	1
23	FLAT WASHER, CAM	870084	1
24	WIRE CONNECTOR (NOT SHOWN)	982-1MH	1

AUTOMATIC BASE APRON & LIFT LEVER ASSMEBLY



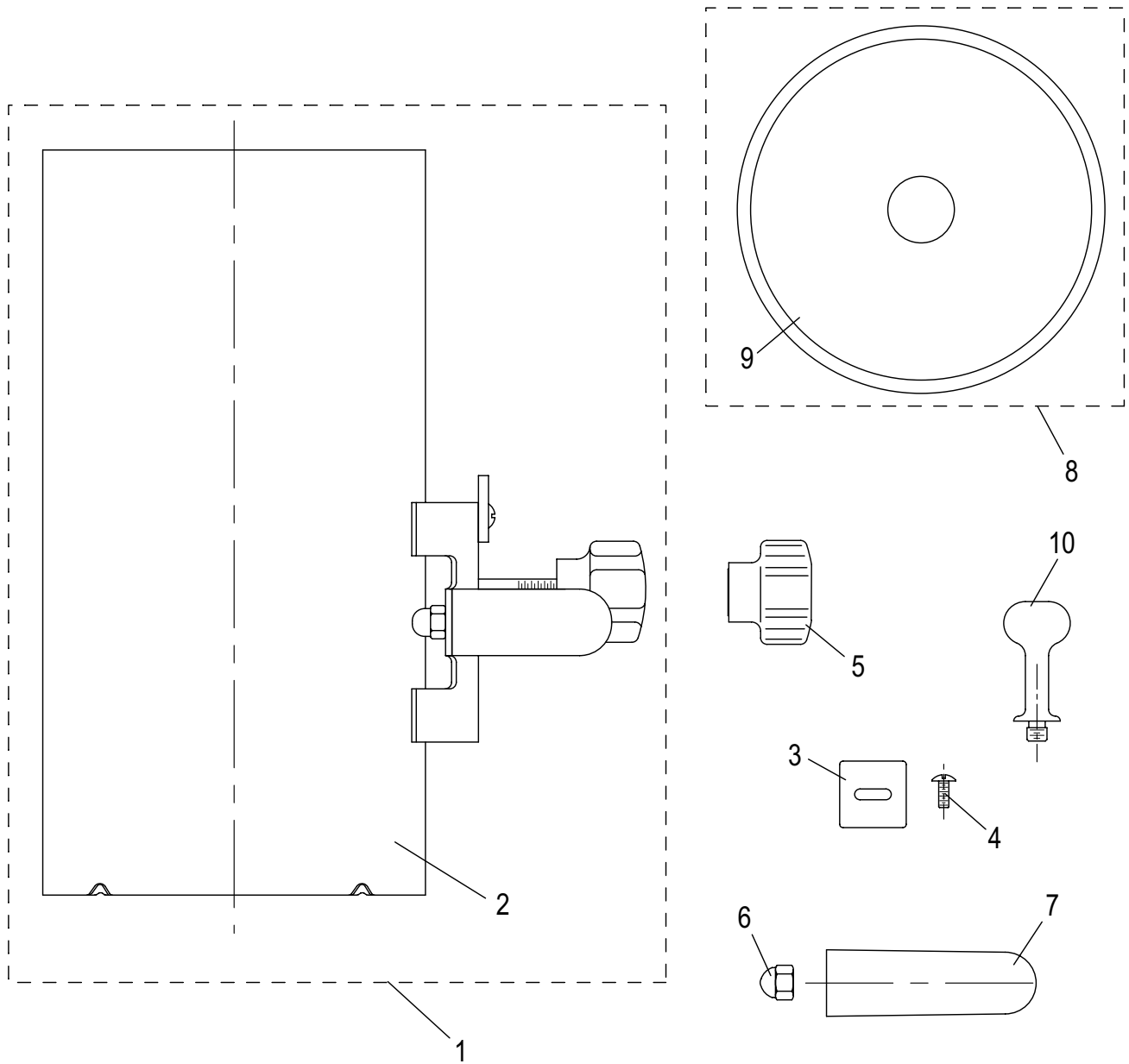
ITEM	PART DESCRIPTION	PART NUMBER	QTY
1	BASE APRON	1046	1
2	BOLT	813	4
3	FLAT WASHER	881-4	4
4	LOCK WASHER	815	4
5	COVER, ELECTRICAL BOX	1228	1
6	GASKET	1274	1
7	NUT	1276	4
8	LOCK WASHER	1252	4
9	OVERLAY, TOUCH PAD	1159	1
10	DRIVE SCREW	851-6P	8
11	GASKET	1192	1
12	COVER, WIRE WAY	320041	1
13	SCREW	889	7
14	LIFT LEVER ASSEMBLY	1161	1
15	LIFT LEVER	1154	1
16	WHEEL	951-7	2
17	CLIP	1156	2
18	HANDLE	951-8	1
19	SUPPORT, LIFT LEVER	1155	1
20	PIVOT ROD CLIP	951-2	2
21	SCREW	900-1	4
22	LOCK WASHER	1252	8
23	NUT	1276	4
24	NUT	760-5	4
25	CLIP, BOTTOM COVER	550010	1
26	COVER, BOTTOM (NOT SHOWN)	340000	1
27	LABEL, WIRING DIAGRAM (NOT SHOWN)	910050	1

AUTOMATIC SLICER ELECTRICAL SYSTEM



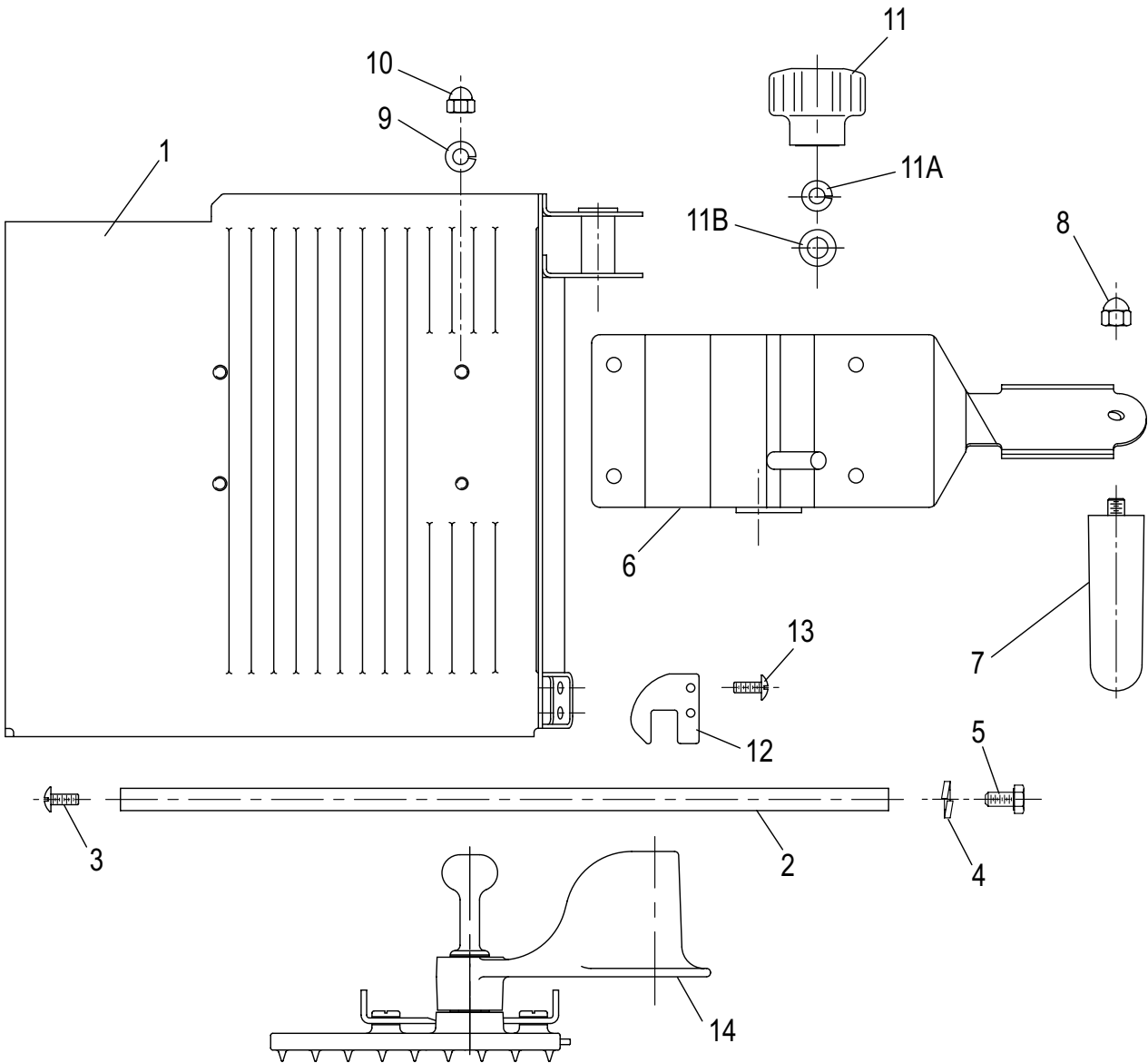
ITEM	PART DESCRIPTION	PART NUMBER	QTY
1	POWER CORD	132-3	1
1A	LOCK WASHER	854-7	2
1B	SCREW	854-6	2
2	STRAIN RELIEF, POWER CORD	877	1
3	WIRING HARNESS, 110VAC (NOT SHOWN)	1313	1
	WIRING HARNESS, 220VAC (NOT SHOWN)	1318	
4	PROXIMITY SWITCH, KNIFE COVER	1178	1
4A	BRACKET, SWITCH MOUNTING - KNIFE GUARD	1133	1
4B	SCREW	1223	2
5	MOTOR START SWITCH ASSY, SOLID STATE, 110VAC	1358	1
	MOTOR START SWITCH ASSY, SOLID STATE, 220VAC	1359	
5A	STAND-OFF, MOTOR START SWITCH	1250	2
6	STANDOFF	1294	4
7	LOCK WASHER	854-7	4
8	3850 CIRCUIT BOARD, START/STOP DISPLAY	1061	1
	3975 CIRCUIT BOARD, START/STOP DISPLAY	1062	
9	STANDOFF	1293	4
10	CIRCUIT BOARD, POWER SUPPLY - 110VAC	1314	1
	CIRCUIT BOARD, POWER SUPPLY - 220VAC	1321	
11	NUT	1219	4
12	COVER, WIREWAY # 2	1136	1
13	COVER, WIREWAY # 3	1137	1
14	SCREW, WIREWAY COVER	889	7

VEGETABLE HOPPER ACCESSORY



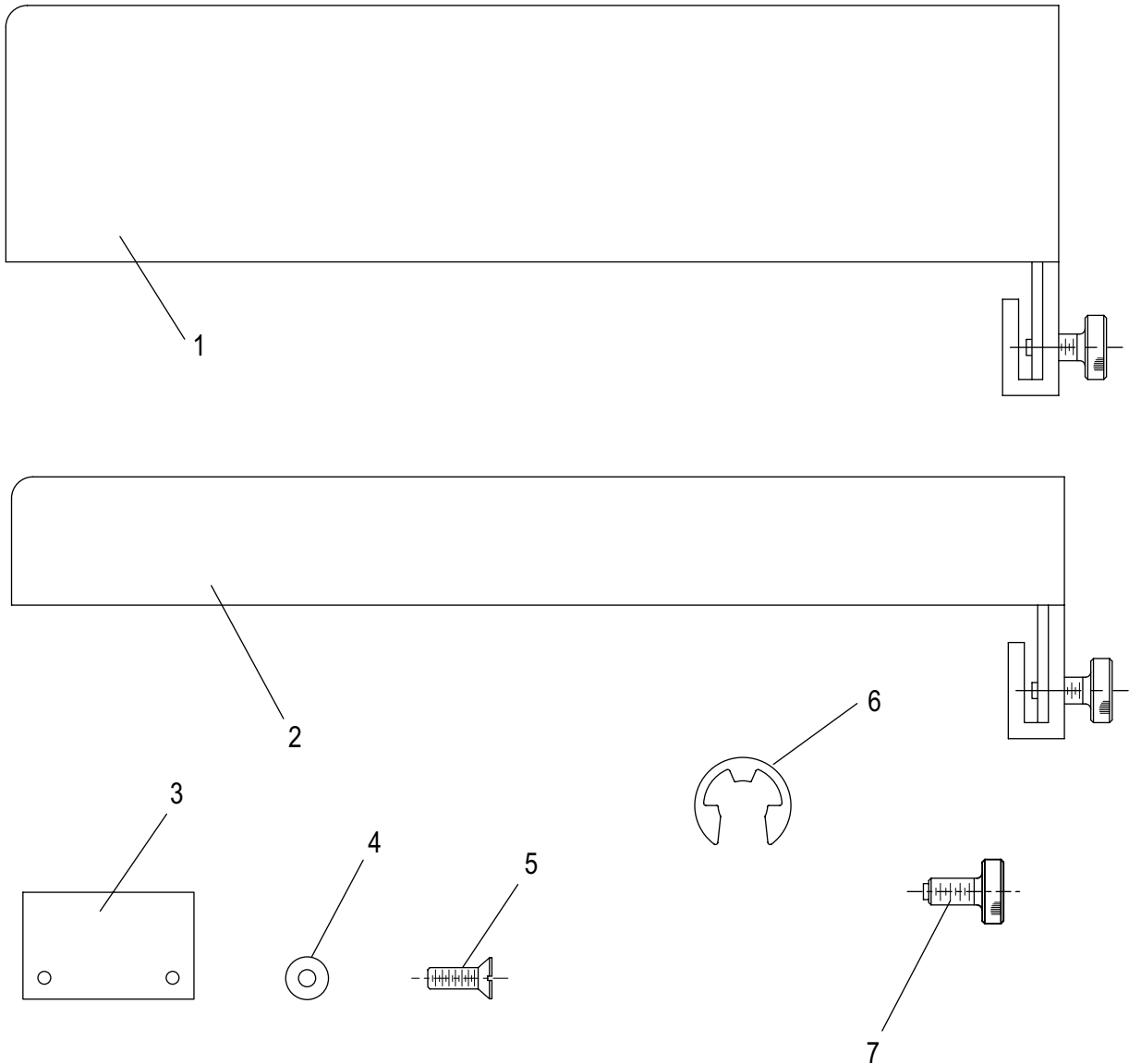
ITEM	PART DESCRIPTION	PART NUMBER	QTY
1	VEGETABLE HOPPER ASSEMBLY	699-AS	1
2	HOPPER BODY WITH SUPPORT AND STUD	699-1W	1
3	HOPPER STOP	699-33	1
4	HOPPER STOP SCREW	900-1	1
5	HOPPER NUT	798-B	1
6	ACORN NUT	699-32	1
7	HOPPER HANDLE	482-B	1
8	HOPPER END WEIGHT ASSEMBLY	699-16	1
9	HOPPER END WEIGHT	699-17	1
10	HOPPER END WEIGHT HANDLE	699-18	1

FRONT MOUNTED END WEIGHT CHUTE ASSEMBLY



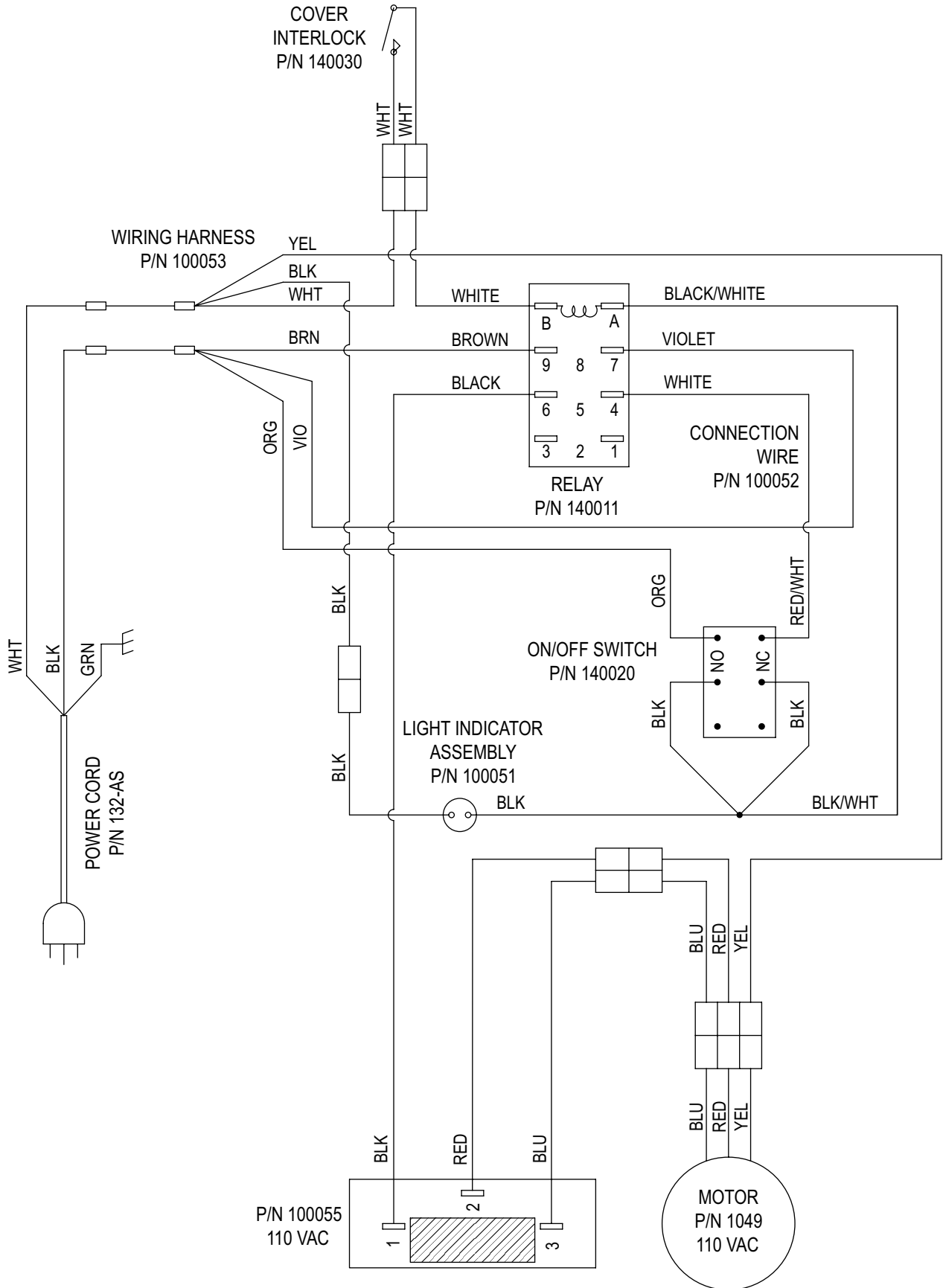
ITEM	PART DESCRIPTION	PART NUMBER	QTY
	FRONT MOUNTED END WEIGHT ASSEMBLY	102-AS-11	1
1	FRONT MOUNTED END WEIGHT CHUTE	981	1
2	END WEIGHT ROD	981-1	1
3	SCREW	981-2	1
4	LOCK WASHER	962-13	1
5	SCREW	981-9	1
6	CHUTE SUPPORT	962-1	1
7	CHUTE HANDLE	482-B	1
8	ACORN NUT	699-32	1
9	LOCK WASHER	962-16	4
10	ACORN NUT	962-6	4
11	CHUTE SUPPORT NUT	798-B	1
11A	LOCK WASHER	962-13	1
11B	FLAT WASHER	870060	1
12	ENDWEIGHT REST	981-4	1
13	SCREW	900-1	2
14	END WEIGHT ASSY, FRONT MOUNTED	981-3	1

CHUTE FENCE ACCESSORIES



ITEM	DESCRIPTION	PART NUMBER	QTY
	FENCE ASSEMBLY, 12" X 3"	1326	1
	FENCE ASSEMBLY, 12" X 1-3/8"	1047	1
1	FENCE, 12" X 3"	1048	1
2	FENCE, 12" X 1-3/8"	1051	1
3	FENCE CLAMP	940-5	1
4	CLAMP SPACER	940-7	2
5	CLAMP MOUNTING SCREW	699-25	2
6	RETAINING RING	940-10	1
7	CLAMP THUMB SCREW	1052	1

MANUAL SLICER SCHEMATIC - MODEL 3600B



AUTOMATIC SLICER SCHEMATIC - MODELS 3850 & 3975

